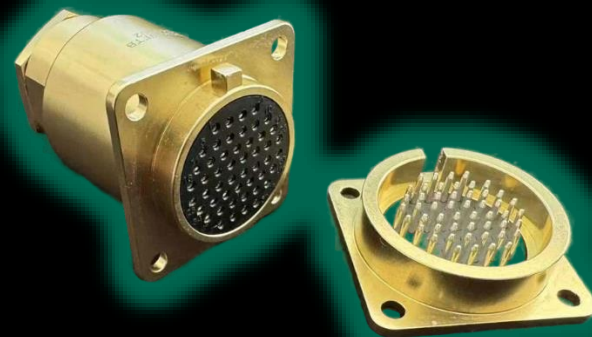


# BC

The BC series subcompact circular electrical connectors are used for circuit electrical connections on radio and electrical equipment.

Connect the cable plug to a socket fixed to the device through a threaded connection screw. The two devices can also be connected directly through the plug and socket installed on each device. The ultra-small circular electric connector is sealed, not sealed, with plugs and sockets with tail accessories. Socket pin, plug hole.



## Technical function

Ambient temperature:  $-60^{\circ}\text{C}+85^{\circ}\text{C}$

Vibration: 5-2500Hz, PC15g,PCΓ18g

Shock BC Many times 50g

BC Many times: 100g

working voltage: 200v

Contact resistance

Insulation resistance  $>5\text{M}\Omega$ ,

Insulation voltage strength:1000V mating

Cycles: 250 times

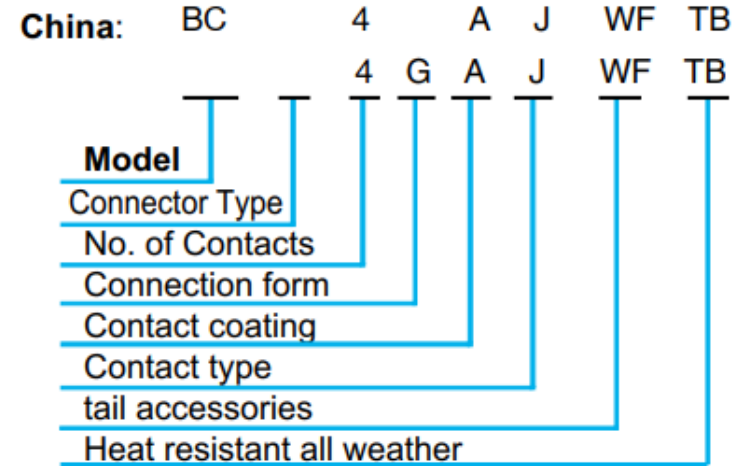
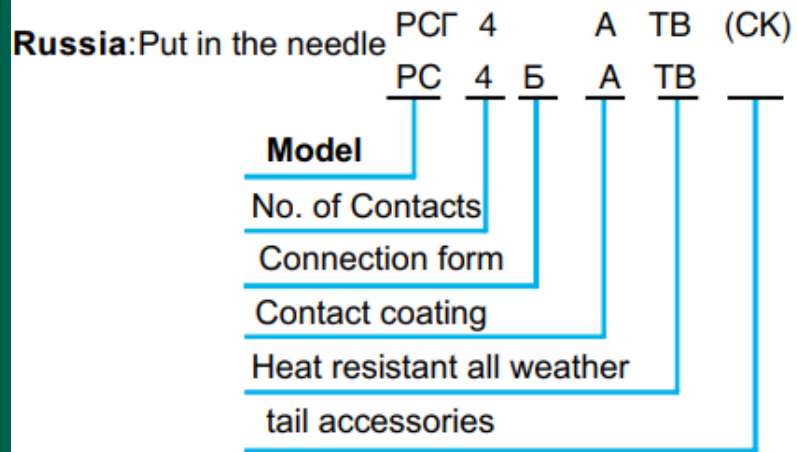
Warranty period:15 year

Contact diameter (mm)	No. of Contacts	Overall current load(A)
1/4		15
1/7		22
1/10		30
1/19		40
1/32		62
1/50		75

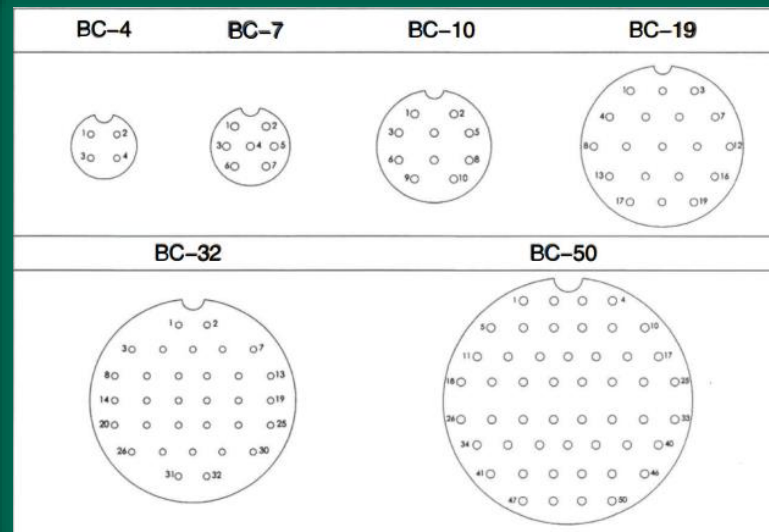
# Marker instructions

sequence number		Code meaning	Russian code	China Factory code
China	Russia			
1	1	Model: Unsealed seal	PC PCF	BC
2	2	Connector Type		socket:A plug:Not labeled
3	3	No. of Contacts	4,7,10,19,32,50	4,7,10,19,32,50
4	4	Connection form: Inline threaded	Б Not labeled	G Not labeled
5	5	Contact coating: gilding silver plating	A Not labeled	A Not labeled
6	6	Connector Type		thrusting needle:J,jack:K
7	7	Tail attachment: With tail attachment Without tail attachment	(CK) Not labeled	WF Not labeled
8	8	Heat resistant all weather	TB	TB

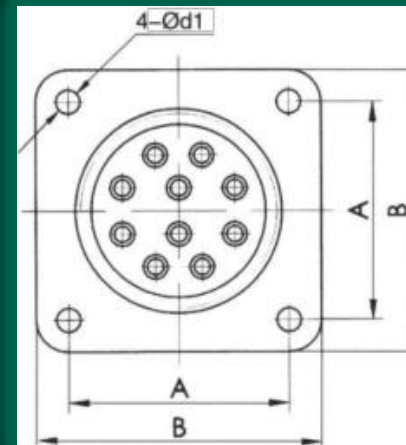
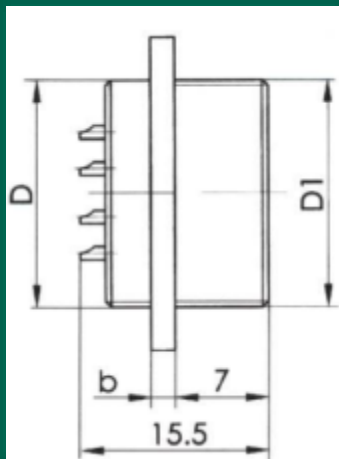
## Contact arrangement (Look at it from the jack contact end)



## Outline and Installation Dimension mm

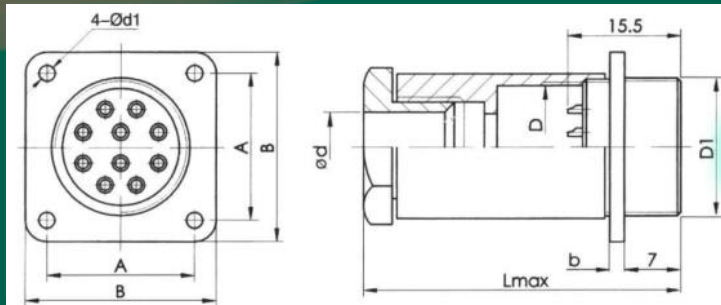


## Socket without tail attachment

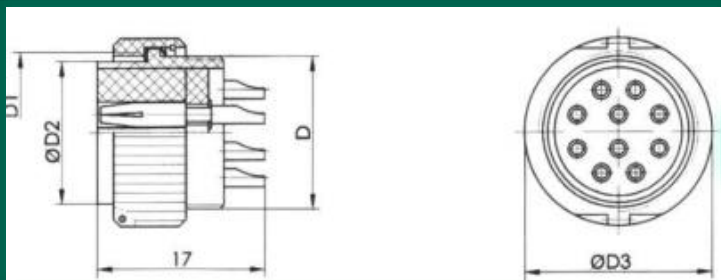


Hole group arrangement	D	D <sub>1</sub>	d1	A	B	b
BC-4	M10×0.75	M10×0.75	2.2	11.8±0.1	16.5	1.4
BC-7	M12×0.75	M12×0.75	2.2	13.2±0.1	18	1.4
BC-10	M14×0.75	M14×0.75	2.2	15±0.1	20	1.4
BC-19	M18×0.75	M18×1	2.2	18±0.1	24	1.4
BC-32	M22×0.75	M22×1	2.7	21.5±0.1	28	1.8
BC-50	M27×0.75	M27×1	3.2	26±0.1	33	2.0

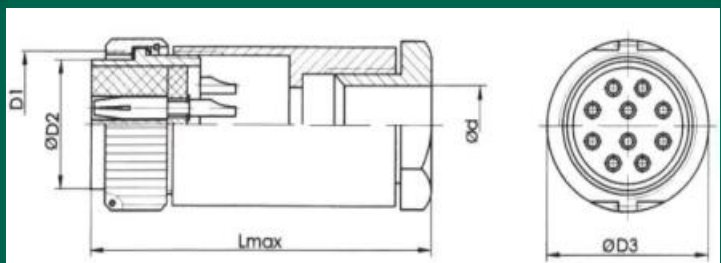
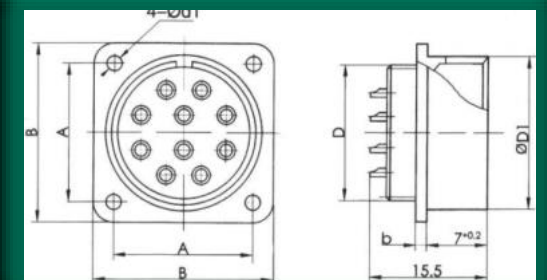
# Socket shank with tail attachment



Hole group arrangement	D	D1	d	b	A	B	d1	Lmax
BC-4	M10×0.75	M10×0.75	6	1.4	11.8±0.1	16.5	2.2	35.6
BC-7	M12×0.75	M12×0.75	8	1.4	13.2±0.1	18	2.2	36
BC-10	M14×0.75	M14×0.75	9	1.4	15±0.1	20	2.2	41
BC-19	M18×0.75	M18×1	11	1.4	18±0.1	24	2.2	41
BC-32	M22×0.75	M22×1	13	1.8	21.5±0.1	28	2.7	43.3
BC-50	M27×0.75	M27×1	16	2.0	26±0.1	33	3.2	50



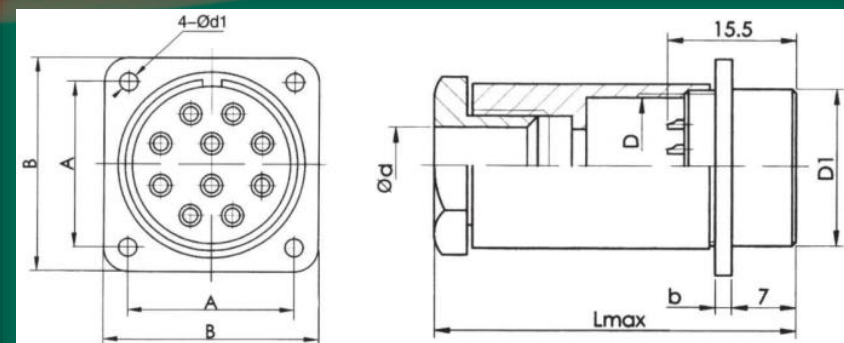
D	D1	D2	D3
M10×0.75	M10×0.75	8.2	13.8
M12×0.75	M12×0.75	10	16
M14×0.75	M14×0.75	12	17.7
M18×0.75	M18×1	15.5	22.3
M22×0.75	M22×1	19.5	26.3
M27×0.75	M27×1	24	31.1



D	D1	D2	D3	d	Lmax
M10×0.75	M10×0.75	8.2	13.8	6	36.5
M12×0.75	M12×0.75	10	16	8	38.3
M14×0.75	M14×0.75	12	17.7	9.2	41
M18×0.75	M18×1	15.5	22.3	11.2	41.5
M22×0.75	M22×1	19.5	26.3	13.2	42
M27×0.75	M27×1	24	31.1	16.2	50

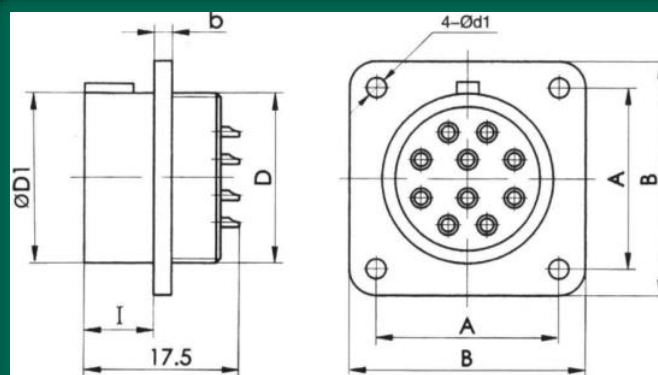
D	D <sub>1</sub>	d <sub>1</sub>	A	B	b
M10×0.75	11.5	2.2	11.8±0.1	16.5	1.4
M12×0.75	14	2.2	13.2±0.1	18	1.4
M14×0.75	16	2.2	15±0.1	20	1.4
M18×0.75	20.5	2.2	18±0.1	24	1.4
M22×0.75	24.5	2.7	21.5±0.1	28	1.8
M27×0.75	30	3.2	26±0.1	33	2.0

## Direct plug socket with tail attachment



Hole group arrangement	D	D1	d	b	A	B	d1	Lmax
BC-4	M10×0.75	M10×0.75	6	1.4	11.8±0.1	16.5	2.2	36
BC-7	M12×0.75	M12×0.75	8	1.4	13.2±0.1	18	2.2	38
BC-10	M14×0.75	M14×0.75	9	1.4	15±0.1	20	2.2	41
BC-19	M18×0.75	M18×1	11	1.4	18±0.1	24	2.2	43
BC-32	M22×0.75	M22×1	13	1.8	21.5±0.1	28	2.7	45
BC-50	M27×0.75	M27×1	16	2.0	26±0.1	33	3.2	50

## Direct plug without tail attachment



D	D1	d1	A	B	b	I
M10×0.75	8.8	2.2	11.8±0.1	16.5	1.4	5.6
M12×0.75	10.7	2.2	13.2±0.1	18	1.4	5.6
M14×0.75	12.6	2.2	15±0.1	20	1.4	5.6
M18×0.75	16.2	2.2	18±0.1	24	1.4	5.6
M22×0.75	20.3	2.7	21.5±0.1	28	1.8	5.2
M27×0.75	24.8	3.2	26±0.1	33	2.0	5.7

## Example of domestic model of PC series thread product

Model	Connector type	Whether with tail attached	Contact type	Contact plating	No. of Contacts
BC4AKWFTB	plug	yes	jack	gilding	4
BC4KWFTB	plug	yes	jack	silver plating	4
BC4AKTB	plug	no	jack	gilding	4
BC4KTB	plug	no	jack	silver plating	4
BCA4AJWFTB	socket	yes	thrusting needle	gilding	4
BCA4JWFTB	socket	yes	thrusting needle	silver plating	4
BCA4AJTB	socket	no	thrusting needle	gilding	4
BCA4JTB	socket	no	thrusting needle	silver plating	4

## Example of domestic model of PC series direct-insert products

Model	Connector type	Whether with tail attached	Contact type	Contact plating	No. of Contacts
BC4GAKWFTB	plug	yes	jack	gilding	4
BC4GKWFTB	plug	yes	jack	silver plating	4
BC4GAKTB	plug	no	jack	gilding	4
BC4GKTB	plug	no	jack	silver plating	4
BCA4GAJWFTB	socket	yes	thrusting needle	gilding	4
BCA4GJWFTB	socket	yes	thrusting needle	silver plating	4
BCA4GAJTB	socket	no	thrusting needle	gilding	4
BCA4GJTB	socket	no	thrusting needle	silver plating	4