

OHS

The OHS-1(2) type electric connector is used in the DC and AC circuit and the plug and socket are bayonet connection
 Plug without tail attachment socket with straight plastic tail

Contact resistance:<5MΩ

Vibration:1-5000hz-20g

Mechanical durability: mating cycles 250 times

Insulation resistance:<1000MΩ

Shock: once 1000g-Many times 100g

Ambient temperature:-60°C-85°C

Warranty/period :15 year

Working hourse:5000 hour

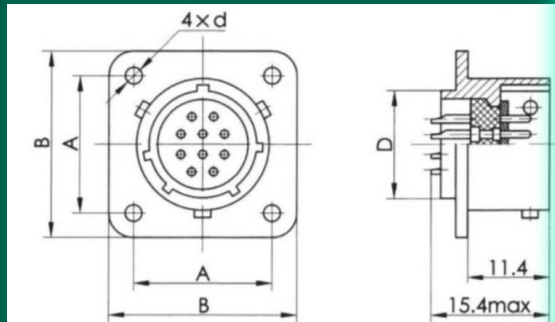


Working current,working voltage:		(Under normal conditions)		Contact diameter:Ø1.0mm	
Housing spec	No. of Contacts	Single contact Working current(A)	Total current(A)	working voltage(V)	
10	4	3.7	15	250	
12	7	3.1	22	250	
14	10	3.0	30	250	
18	19	2.1	40	250	
22	32	1.8	60	250	
27	50	1.5	75	250	

Housing spec	10	12	14	18
No. of Contacts	4	7	10	19
Hole group arrangement				
Housing spec	22		27	
No. of Contacts	32		50	
Hole group arrangement				

MARKER INSTRUCTIONS

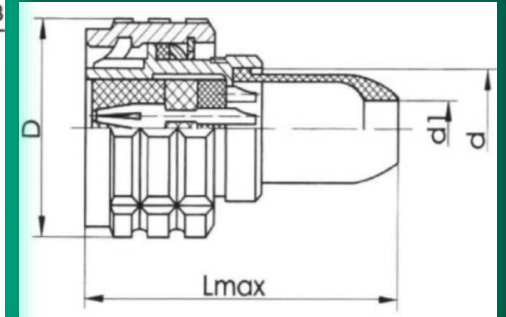
Socket without tail accessories (Put in the needle)



Russia:	OHL	- BC	1 (2)	4/10	B(P)	1(2)	1 (2,3)	B
OHL	-circular							
B	-bayonet							
C	-subminiature							
	1 silver plating, 2 gilding							
	No. of Contacts/Housing spec							
B	socket(Put in the needle)							
P	plug(Fit into the hole)							
	1. Without tail attachment							
	2. With unshielded straight tail attachment							
	Alignment mark							
	Housing spec							

Plug with tail attachment (fit into the hole)

China:	OHS	1 (2)	4/10	B(P)	1(2)	1 (2,3)	B
OHS	-circular						
	1 silver plating, 2 gilding						
	No. of Contacts/Housing spec						
B	socket(Put in the needle)						
P	plug(Fit into the hole)						
	1. Without tail attachment						
	2. With unshielded straight tail attachment						
	Alignment mark						
	Housing spec						



Housing spec	size mm				
	D	d	A	B	b
10	10	2.2	11.8	20	1.4
12	12	2.2	13.2	21	1.4
14	14	2.2	15	24	1.4
18	18	2.2	18	27	1.4
22	22	2.7	21.5	31	1.8
27	27	3.2	26	36	2

Housing spec	size mm			
	D	d	d 1	Lmax
10	20	M10x0.75	4.5	30
12	21	M12x0.75	6	31
14	24	M14x0.75	7	32
18	27	M18x0.75	9.2	33
22	31	M22x0.75	11	34
27	36	M27x0.75	13	36

CIRCULAR CONNECTOR SPECIFICATION

Product description OHS 2 key

Model number: OHS-1-50/27-P12-2-B(Factory p/n:OHS-BC-1-50/27-P2-2-B)

Applicable Standard

Connection method: Bayonet Coupling

Shell material: Aluminum alloy

Contact material: Copper-plated Silver

Temperature	-60°C~+85°C	contact resistance	$\Phi 1: \leq 5m\Omega$
Life Span	250 times	Total current	75A
Vibration	Frequency 1-5000Hz 20g	Working voltage	250V
Shock	100g	Contact diameter	$\Phi 1mm$
insulation resistance	$\geq 1000M\Omega$		

Structural dimension Open tolerance, $\pm 0.2m$

