

ZH23

series electrical connectors it has the characteristics of environmental resistance, five key positioning to prevent insertion errors, and quick connection of the bayonet. The contact parts are crimped and then released, used in low-frequency AC/DC circuits

Ambient temperature: -60°C-+200°C (highest 200°C)

Vibration: 40g(1-5000Hz)

Shock: 500g(Once) 150g(Many time)

technical specification: Q/3E 20005-2003

Salt spray: 96h

Humidity: 30°C-60°C 92%-98%

Insulation resistance >5000MΩ

Mechanical and Work durability : mating cycles 500 times

working volta

| grade | working voltage(V) | Testing voltage(V) |
|-------|--------------------|--------------------|
| A | 700 | 2100 |
| B | 500 | 1850 |
| C | 400 | 1600 |

contact current

| Ø1.0 | Ø1.5 | Ø2.0 |
|------|------|------|
| 11A | 20A | 35A |

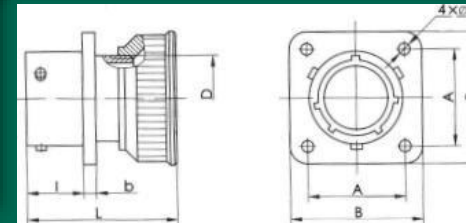
Contact resistance:

| Ø1.0 | Ø1.5 | Ø2.0 |
|--------|--------|--------|
| ≤7.4mΩ | ≤2.5mΩ | ≤1.6mΩ |



| Serial Number | Code meaning | Russian code | Chinese code |
|---------------|--|--|--|
| 1 | Model | CHLQ23 | ZH23 |
| 2 | Total number of contacts | 3, 4, 7, 10, 19, 24, 28, 32, 41, 43, 45, 55, 61 | 3, 4, 7, 10, 19, 24, 28, 32, 41, 43, 45, 55, 61 |
| 3 | standard Housing spec(mm) | 14, 18, 22, 24, 27, 30, 33, 36, 39 | 14, 18, 22, 24, 27, 30, 33, 36, 39 |
| 4 | Contact type | B(Put in the needle) P(Fit into the hole) | B(Put in the needle) P(Fit into the hole) |
| 5 | Tail accessory and connector type code | 1- Socket with simplified tail accessories 2- Socket with straight clamp type tail attachment 4- Socket with curved clamp type tail attachment 6- Plug with straight clip type tail attachment 8- Plug with curved clamp tail attachment 11- Plug with simplified tail attachment 12- Socket with 09 type thermoplastic sleeve tail attachment 13- Plug with 09 type thermoplastic sleeve tail attachment 15- Socket with 05 type shielded straight tail attachment(memory ring) 16- Plug with 05 type shielded straight tail attachment(memory ring) | 17- Socket with 06 type shielded curved tail attachment (memory ring) 18- Plug with 06 type shielded bent tail attachment (memory ring) 19- Socket with 07 type shielded simplified tail attachment 20- Plug with 07 type shielded simplified tail attachment 21- Socket with 08 type shielded straight clamp wire tail attachment 22- Plug with 08 type shielded straight clamp wire tail attachment 25- Socket with 10 type shielded curved tail attachment 26- Plug with 10 type shielded bent tail attachment 27- Socket with 11 type shielded bent clamp wire tail attachment 28- Plug with 11 type shielded bent clamp wire tail attachment |
| 6 | Alignment mark | unmarked-Standard key position a, b, B, r | unmarked-Standard key position a, b, c, d |
| 7 | climate condition-all-weather | | B |

External installation dimensions 1-socket with simplified tail accessories

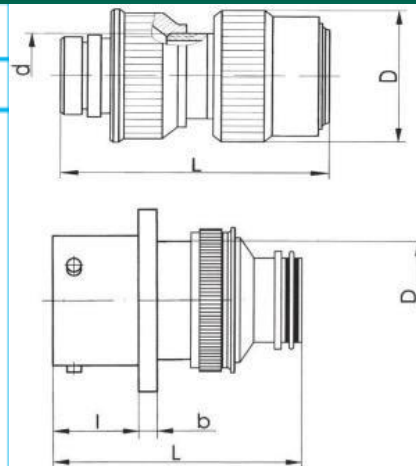


| Model | a (a) | б (b) | в (c) | г (d) | unmarked | Model | a (a) | б (b) | в (c) | г (d) | unmarked |
|-------|----------|----------|----------|----------|----------|-------|----------|----------|----------|----------|----------|
| 3/14 | 160 | | | | 0 | 28/27 | 45 | 150 | 195 | | 0 |
| 4/14 | | 135 | | | 0 | 32/27 | 45 | 135 | | 270 | 0 |
| 7/18 | 90 | | | | 0 | 24/30 | 90 | 135 | 200 | | 0 |
| 10/18 | | 70 | | | 0 | 41/30 | 45 | 90 | | | 0 |
| 7/22 | 80 | 170 | 225 | | 0 | 32/33 | 90 | 120 | | | 0 |
| 10/22 | | 100 | 195 | | 0 | 55/33 | 75 | 90 | | 165 | 0 |
| 19/22 | 30 | | 225 | | 0 | 43/36 | 90 | 135 | 200 | 250 | 0 |
| 19/24 | 30 | 120 | 245 | | 0 | 61/36 | 90 | 160 | 190 | | 0 |
| 19/27 | 30 | 195 | | | 0 | 45/39 | 90 | 180 | 270 | 315 | 0 |

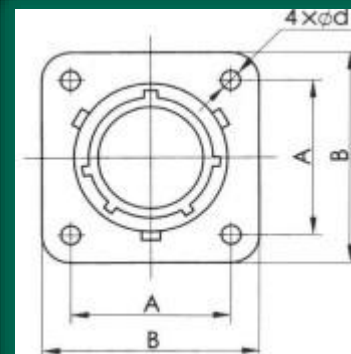
| Model | size mm | | | | | | | |
|--------------------|---------|------|-------|------|------|------|------|------|
| | A | B | D | dmin | l | bmax | L | |
| ZH23-4/14B(P)-1-B | 16.5 | 21.7 | 14 | 2.2 | 11.3 | 1.4 | 32.5 | |
| ZH23-3/14B(P)-1-B | 19.5 | 25.9 | 18.5 | 3.2 | | | | |
| ZH23-10/18B(P)-1-B | 23 | 29.4 | 21.7 | | | 1.8 | | |
| ZH23-7/18B(P)-1-B | | | | | | | | |
| ZH23-19/22B(P)-1-B | | | | | | | | |
| ZH23-10/22B(P)-1-B | 25 | 31.4 | 24.85 | | | | | 2.15 |
| ZH23-7/22B(P)-1-B | | | | | | | | |
| ZH23-19/24B(P)-1-B | 27 | 33.4 | 26.3 | | | | | |
| ZH23-32/27B(P)-1-B | | | | | | | | |
| ZH23-19/27B(P)-1-B | | | | | | | | |
| ZH23-28/27B(P)-1-B | 31 | 37.8 | 29.5 | | | | | |
| ZH23-41/30B(P)-1-B | | | | | | | | |
| ZH23-24/30B(P)-1-B | | | | | | | | |
| ZH23-55/33B(P)-1-B | 34 | 41.5 | 32.6 | 14.5 | | | | |
| ZH23-32/33B(P)-1-B | | | | | | | | |
| ZH23-61/36B(P)-1-B | 36.5 | 44.5 | 35.8 | 15.3 | | | | |
| ZH23-43/36B(P)-1-B | | | | | | | | |
| ZH23-45/39B(P)-1-B | 40 | 46.4 | 39 | | | | | |

PLUG WITH 09 TYPE THERMOPLASTIC SLEEVE TAIL ATTACHMENT

| Model | size mm | | |
|---------------------|---------|-------|----|
| | Dmax | d | L |
| ZH23-4/14B(P)-13-B | 22.6 | 14 | 50 |
| ZH23-3/14B(P)-13-B | | | |
| ZH23-10/18B(P)-13-B | 26 | 18.5 | |
| ZH23-7/18B(P)-13-B | | | |
| ZH23-19/22B(P)-13-B | 29.7 | 21.7 | |
| ZH23-10/22B(P)-13-B | | | |
| ZH23-7/22B(P)-13-B | 32.9 | 24.85 | |
| ZH23-19/24B(P)-13-B | | | |
| ZH23-32/27B(P)-13-B | 35.3 | 26.3 | |
| ZH23-19/27B(P)-13-B | | | |
| ZH23-28/27B(P)-13-B | 39 | 29.5 | |
| ZH23-41/30B(P)-13-B | | | |
| ZH23-24/30B(P)-13-B | 42 | 32.6 | 51 |
| ZH23-55/33B(P)-13-B | | | |
| ZH23-32/33B(P)-13-B | 46 | 35.8 | |
| ZH23-61/36B(P)-13-B | | | |
| ZH23-43/36B(P)-13-B | 49 | 39 | |
| ZH23-45/39B(P)-13-B | | | |

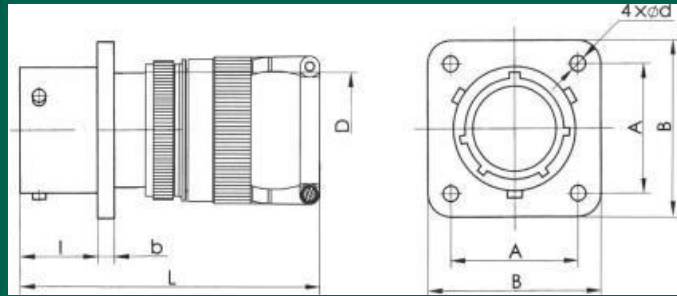


Socket with 05 type shielded straight tail attachment (memory ring)



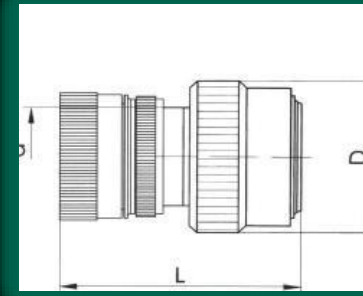
| Model | size mm | | | | | | |
|---------------------|---------|------|-------|------|------|------|----|
| | A | B | D | dmin | l | bmax | L |
| ZH23-4/14B(P)-15-B | 16.5 | 21.7 | 14 | 2.2 | 11.3 | 1.4 | 55 |
| ZH23-3/14B(P)-15-B | | | | | | | |
| ZH23-10/18B(P)-15-B | 19.5 | 25.9 | 18.5 | | | | |
| ZH23-7/18B(P)-15-B | | | | | | | |
| ZH23-19/22B(P)-15-B | 23 | 29.4 | 21.7 | | | | |
| ZH23-10/22B(P)-15-B | | | | | | | |
| ZH23-7/22B(P)-15-B | 25 | 31.4 | 24.85 | | | | |
| ZH23-19/24B(P)-15-B | | | | | | | |
| ZH23-32/27B(P)-15-B | 27 | 33.4 | 26.3 | | | | |
| ZH23-19/27B(P)-15-B | | | | | | | |
| ZH23-28/27B(P)-15-B | 31 | 37.8 | 29.5 | | | | |
| ZH23-41/30B(P)-15-B | | | | | | | |
| ZH23-24/30B(P)-15-B | 34 | 41.5 | 32.6 | 14.5 | | | |
| ZH23-55/33B(P)-15-B | | | | | | | |
| ZH23-32/33B(P)-15-B | 36.5 | 44.5 | 35.8 | 15.3 | | | |
| ZH23-61/36B(P)-15-B | | | | | | | |
| ZH23-43/36B(P)-15-B | 40 | 46.4 | 39 | | | | |
| ZH23-45/39B(P)-15-B | | | | | | | |

Socket with 08 type shielded straight clamp wire tail attachment



| Model | size mm | | | | | | | |
|---------------------|---------|------|-------|------|------|------|----|----|
| | A | B | D | dmin | l | bmax | L | |
| ZH23-4/14B(P)-21-B | 16.5 | 21.7 | 14 | 2.2 | 11.3 | 1.4 | 66 | |
| ZH23-3/14B(P)-21-B | | | | | | | | |
| ZH23-10/18B(P)-21-B | 19.5 | 25.9 | 18.5 | 3.2 | | 1.8 | | 70 |
| ZH23-7/18B(P)-21-B | | | | | | | | |
| ZH23-19/22B(P)-21-B | 23 | 29.4 | 21.7 | 14.5 | | 2.15 | | 78 |
| ZH23-10/22B(P)-21-B | | | | | | | | |
| ZH23-7/22B(P)-21-B | 25 | 31.4 | 24.85 | 15.3 | | 2.15 | 78 | |
| ZH23-19/24B(P)-21-B | | | | | | | | |
| ZH23-32/27B(P)-21-B | 27 | 33.4 | 26.3 | 15.3 | | 2.15 | 78 | |
| ZH23-19/27B(P)-21-B | | | | | | | | |
| ZH23-28/27B(P)-21-B | 31 | 37.8 | 29.5 | 15.3 | 2.15 | 78 | | |
| ZH23-41/30B(P)-21-B | | | | | | | | |
| ZH23-24/30B(P)-21-B | 34 | 41.5 | 32.6 | 15.3 | 2.15 | 78 | | |
| ZH23-55/33B(P)-21-B | | | | | | | | |
| ZH23-32/33B(P)-21-B | 36.5 | 44.5 | 35.8 | 15.3 | 2.15 | 78 | | |
| ZH23-61/36B(P)-21-B | | | | | | | | |
| ZH23-43/36B(P)-21-B | 40 | 46.4 | 39 | 15.3 | 2.15 | 78 | | |
| ZH23-45/39B(P)-21-B | | | | | | | | |

Plug with 07 type shielded simplified tail attachment



| Model | size mm | | | |
|---------------------|---------|-------|----|----|
| | Dmax | d | L | |
| ZH23-4/14B(P)-20-B | 22.6 | 14 | 56 | |
| ZH23-3/14B(P)-20-B | | | | |
| ZH23-10/18B(P)-20-B | 26 | 18.5 | | 56 |
| ZH23-7/18B(P)-20-B | | | | |
| ZH23-19/22B(P)-20-B | 29.7 | 21.7 | | 56 |
| ZH23-10/22B(P)-20-B | | | | |
| ZH23-7/22B(P)-20-B | 32.9 | 24.85 | | 56 |
| ZH23-19/24B(P)-20-B | | | | |
| ZH23-32/27B(P)-20-B | 35.3 | 26.3 | | 56 |
| ZH23-19/27B(P)-20-B | | | | |
| ZH23-28/27B(P)-20-B | 39 | 29.5 | 56 | |
| ZH23-41/30B(P)-20-B | | | | |
| ZH23-24/30B(P)-20-B | 42 | 32.6 | 56 | |
| ZH23-55/33B(P)-20-B | | | | |
| ZH23-32/33B(P)-20-B | 46 | 35.8 | 56 | |
| ZH23-61/36B(P)-20-B | | | | |
| ZH23-43/36B(P)-20-B | 49 | 39 | 56 | |
| ZH23-45/39B(P)-20-B | | | | |